

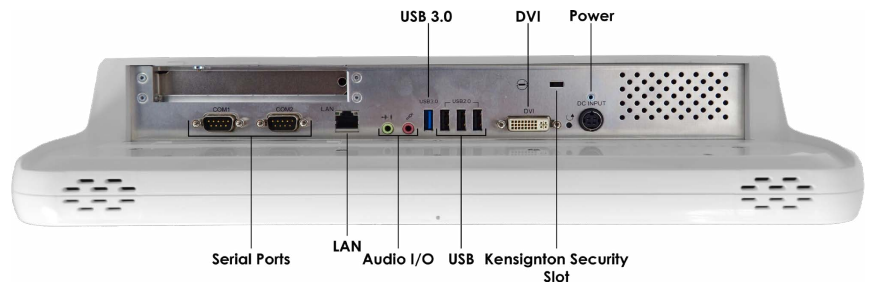
# CyberMed M156x

## 15.6" Fanless Medical Computer



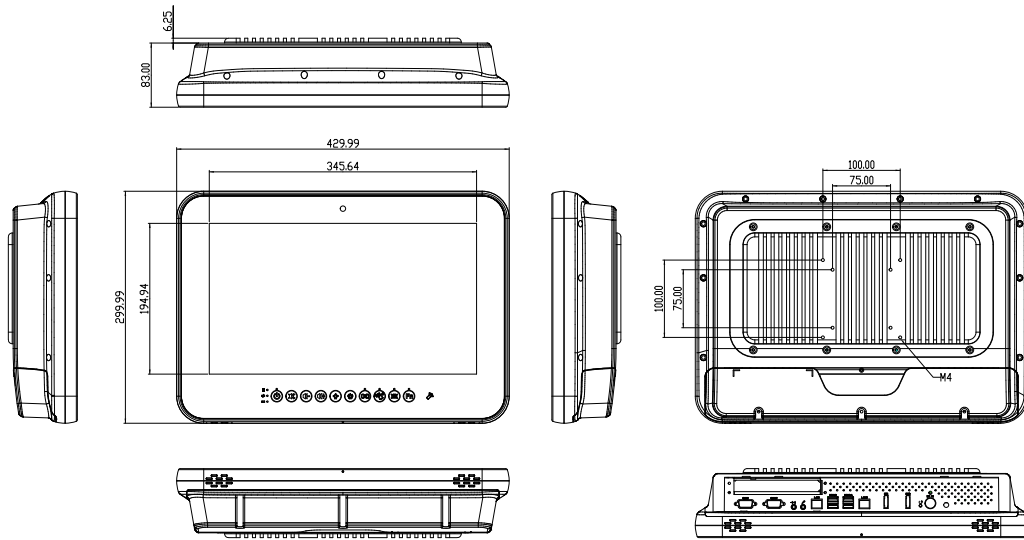
## Main Features

- 15.6" LCD Panel
- PCAP Multi-Touch Display
- IP65 Rated
- Global IEC60601-1 Certified
- Fanless Design
- Antimicrobial Housing



## Technical Specifications

<b>Display</b>	15.6" Medical Grade LCD Panel 1366x768
<b>CPU Support</b>	Intel 6th & 7th Generation i5/i7 CPU
<b>Chipset</b>	Integrated
<b>Memory</b>	2x DDR4 2400MHz SO-DIMM sockets, populated up to 32GB
<b>Operating System</b>	Windows 10, Windows IoT, Windows 8.1 (6th Gen only), Windows 7 (6th Gen only), Linux
<b>Video &amp; Graphics</b>	Intel HD Graphics
<b>Touch Screen</b>	PCAP Multi-Touch with Optional Antiglare Technology
<b>Networking</b>	2x Gigabit (Gbe) LAN
<b>Wireless</b>	Intel a/b/g/n/ac + Bluetooth 4.0
<b>Bios</b>	AMI Flash BIOS supports ACPI, API, DMI, Plug & Play, and security password. Supports booting from HDD, PXE, LAN, CD-ROM, and ANY USB device. Has BIOS System POST and BIOS setup password protection. RTC wake up / Wake on LAN / Power on after power failure / PnP / ACPI.
<b>Expansion Slots</b>	1x Mini PCI Express slot 1x M.2 Type E slot
<b>HDD Support</b>	2.5" SATA HDD/SSD bay with anti-vibration
<b>Colors</b>	White with Antimicrobial Germ Protection
<b>Power Supply</b>	100W Medical Grade PSU, Input: universal 90~264V AC, 47-63Hz. Supports Output range: DC 12V
<b>Relative Humidity</b>	10%~90% (non-condensing)
<b>Waterproof</b>	IP65 Sealed Front Bezel and IPX1 Back Cover



## Mechanical & Environmental

<b>Dimensions</b>	16.93" x 11.81" x 3.27" (L,W,D)
<b>Weight</b>	11.02 lbs without base stand
<b>Wall Mount</b>	Supports 75mm & 100mm VESA mounting holes
<b>Environment</b>	Ambient Temperature: 0°C~40°C (operating)
<b>Certifications</b>	IEC/EN60601-1, CE, FCC, ES 6.1, UL60601-1

## Input/Output

<b>I/O Ports</b>	<ul style="list-style-type: none"> <li>4x USB 3.0 ports</li> <li>1x RS232/422/485</li> <li>1x RS232</li> <li>2x Display Ports</li> </ul>
<b>Audio</b>	Realtek ALC262 High Definition Audio. Two built-in 2.0 watt stereo speakers with two audio jacks for Audio Line Out, and Microphone.

## Optional Features

- 5 Megapixel Webcam
- TPM Module
- 4KV Isolated Ports
- Privacy Filter
- Internal UPS Battery
- Secondary Hard Drive
- Antimicrobial Base Stand
- Integrated Imprivata SSO
- Certified RFID Reader
- Extended Warranties

