

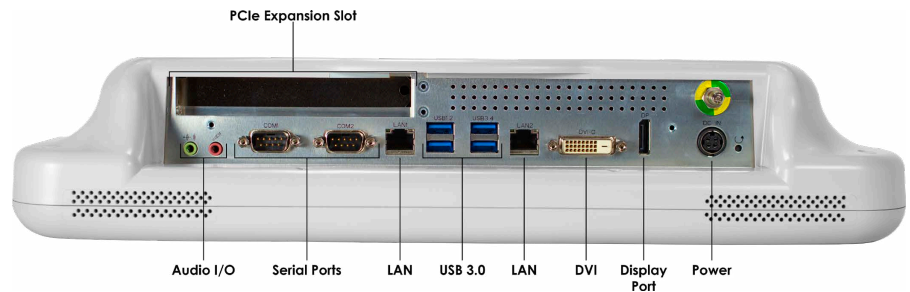
# CyberMed M17S

## 17" Medical Computer



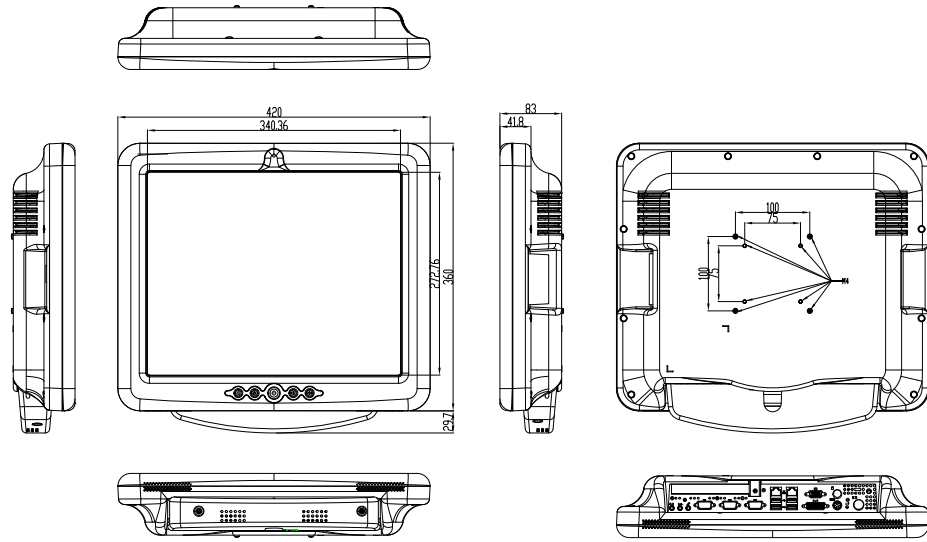
## Main Features

- 17" LED Panel
- 5-Wire Single Touch Display
- IP65 Rated
- UL/cUL/IEC60601-1 Certified
- Antimicrobial Housing



## Technical Specifications

<b>Display</b>	17" Medical Grade LED Panel 1280x1024
<b>CPU Support</b>	6th Generation Intel Core i3/i5/i7 Skylake Processors
<b>Chipset</b>	Intel Q170 Chipset
<b>Memory</b>	2x DDR4 2133MHz 204-pin SO-DIMM sockets, populated up to 32GB
<b>Operating System</b>	Windows 10, Windows IoT, Windows 8.1, Windows 7, Linux
<b>Video &amp; Graphics</b>	Intel HD Graphics 530
<b>Touch Screen</b>	5-Wire Resistive Single Touch
<b>Networking</b>	1x Gigabit (Gbe) LAN Intel i219-LM 1x Gigabit (Gbe) LAN Intel i210-AT
<b>Wireless</b>	Intel Centrino 802.11 a/b/g/n + Bluetooth 4.0
<b>Bios</b>	AMI Flash BIOS supports ACPI, API, DMI, Plug & Play, and security password. Supports booting from HDD, PXE, LAN, and any USB device.
<b>Expansion Slots</b>	2x Mini PCIe 1x PCIe-16
<b>HDD Support</b>	2.5" SATA HDD/SSD bay with anti-vibration
<b>Colors</b>	White with Antimicrobial Germ Protection
<b>Power Supply</b>	100W Medical Grade PSU, Input: universal 90~264V AC. Output: 12V DC, 8.00A. Low power sleep mode saves energy.
<b>Relative Humidity</b>	10%~90% (non-condensing)
<b>Waterproof</b>	IP65 Sealed Front Bezel and IPX1 Back Cover



## Mechanical & Environmental

<b>Dimensions</b>	16.53" x 14.17" x 3.26" (L,W,D)
<b>Weight</b>	13.2 lbs without base stand
<b>Wall Mount</b>	Supports 75mm & 100mm VESA mounting holes
<b>Environment</b>	Ambient Temperature: 0°C~40°C (operating)
<b>Certifications</b>	EN60601-1, FCC Class B, CE, UL60601-1, RoHs, WEEE, Energy Star 6.1 Compliance

## Input/Output

<b>I/O Ports</b>	4x USB 3.0 ports 1x RS232 (add up to 6x RS232) 1x RS232/422/485 1x Display Port
<b>Audio</b>	Realtek ALC262 High Definition Audio. Two built-in 2.0 watt stereo speakers with two audio jacks for Audio Line Out, and Microphone.

## Optional Features

- 3.2 Megapixel Webcam
- TPM Module
- Additional Serial Ports
- Antimicrobial Base Stand
- Antimicrobial Keyboard & Mouse
- Integrated Imprivata SSO
- Certified RFID Reader
- Extended Warranties

