

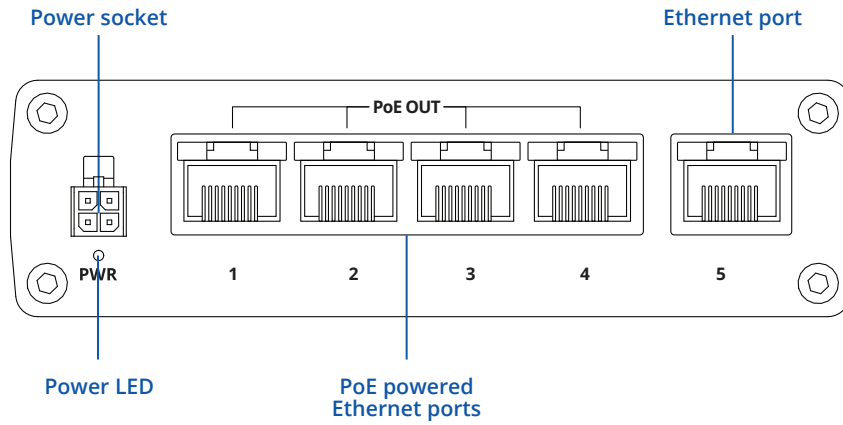


TSW100

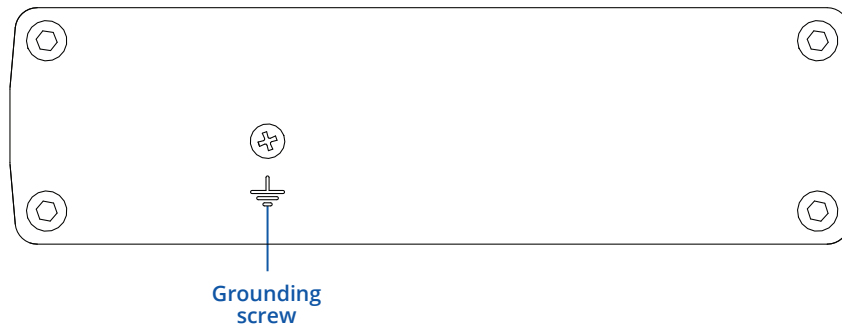


HARDWARE

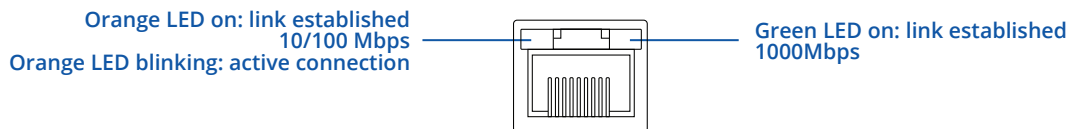
FRONT VIEW



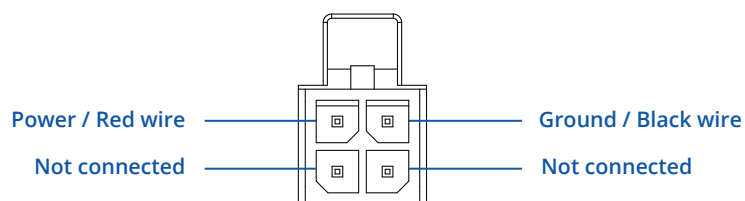
BACK VIEW



RJ45 LED MEANING



POWER SOCKET PINOUT



FEATURES

ETHERNET

LAN	5 x ETH ports, 10/100/1000 Mbps, supports auto MDI/MDIX crossover
IEEE 802.3 series standards	802.3i, 802.3u, 802.3ab, 802.3x, 802.3az

POE

PoE ports	Port 1- 4
PoE standards	802.3af and 802.3at
PoE Max Power per Port (at PSE)	30 W
PoE Power Budget (at PSE)	120 W

PERFORMANCE SPECIFICATIONS

Bandwidth (Non-blocking)	10 Gbps
Packer buffer	128 KB
MAC address table size	2K entries
Jumbo frame support	9216 bytes

POWER

Connector	4-pin industrial DC power socket
Input voltage range	7 – 57 VDC
PoE-out input voltage range	44 – 57 VDC
Power consumption	Idle: 2 W / Max (no PoE): 9 W / PoE Max: 129 W

PHYSICAL INTERFACES

Ethernet	5 x RJ45 ports, 10/100/1000 Mbps
Status LEDs	1 x Power LED, 10 x ETH status LEDs
Power	1 x 4-pin power connector
Other	1 x Grounding screw

PHYSICAL SPECIFICATION

Casing material	Full aluminum housing
Dimensions (W x H x D)	115 x 32 x 95 mm
Weight	350 g
Mounting options	DIN rail, wall mount, flat surface (all require additional kit)

OPERATING ENVIRONMENT

Operating temperature	-40 °C to 75 °C
Operating humidity	10% to 90% non-condensing
Ingress Protection Rating	IP30

REGULATORY & TYPE APPROVALS

Regulatory	CE, UKCA, EAC, UCRF, CITC, ANRT, FCC, IC, NOM, Anatel, CB, E-mark
------------	---

EMC EMISSIONS & IMMUNITY

Standards	EN 55032:2015 EN 55035:2017 EN 301 489-1 V2.2.3
ESD	EN 61000-4-2:2009
Radiated Immunity	EN IEC 61000-4-3:2006 + A1:2008 + A2:2010
EFT	EN 61000-4-4:2012
Surge Immunity (AC Mains Power Port)	EN 61000-4-5:2014
CS	EN 61000-4-6:2014
DIP	EN 61000-4-11:2004

SAFETY

Standards	IEC 62368-1:2018 EN IEC 62368-1:2020+A11:2020
-----------	--

STANDARD PACKAGE*

- 62 W PSU
- TSW100
- QSG (Quick Start Guide)
- Packaging box



* Standard package contents may differ based on standard order codes.

CLASSIFICATION CODES

HS Code: 851762
 HTS: 8517.62.00

For more information on all available packaging options – please contact us directly.

AVAILABLE VERSIONS

HARDWARE VERSION	SUPPORTED FREQUENCIES	STANDARD ORDER CODE / PACKAGE CONTAINS
TSW100 *****	N/A	TSW100000000 / Standard package with EU PSU TSW100000010 / Standard package with US PSU TSW100000030 / Standard package with UK PSU TSW100000020 / Standard package with AU PSU TSW1000000A0 / Standard package with Power cable with 4-way screw terminal TSW1000000B0 / Mass packing code

TSW100 SPATIAL MEASUREMENTS

MAIN MEASUREMENTS

W x H x D dimensions for TSW100:

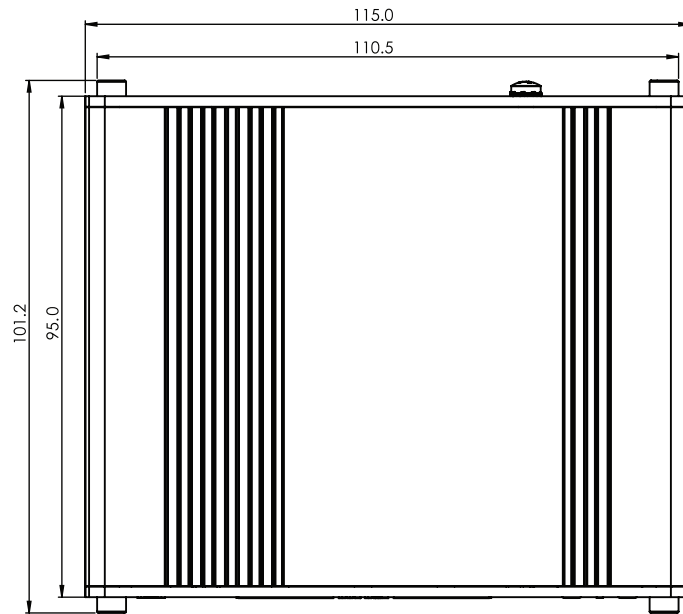
Device housing*: 115 x 32 x 95 mm

Box: 173 x 71 x 148 mm

*Housing measurements are presented without antenna connectors and screws; for measurements of other device elements look to the sections below.

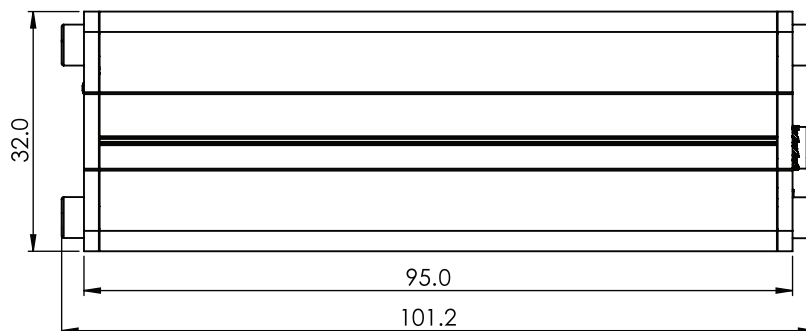
TOP VIEW

The figure below depicts the measurements of TSW100 and its components as seen from the top:



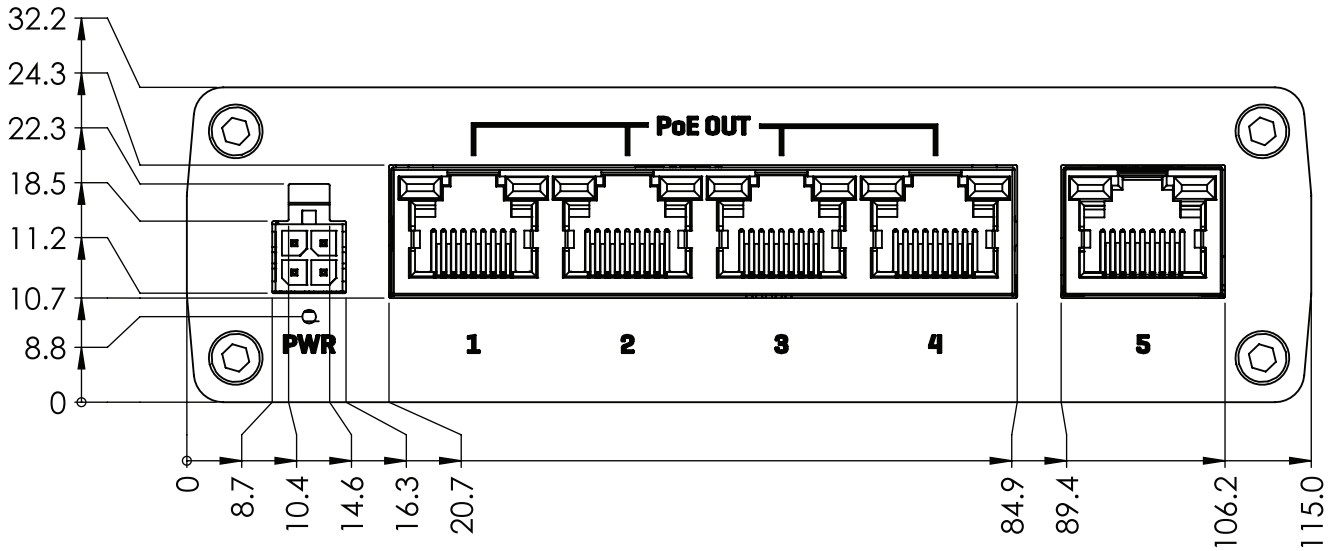
RIGHT VIEW

The figure below depicts the measurements of TSW100 and its components as seen from the right side:



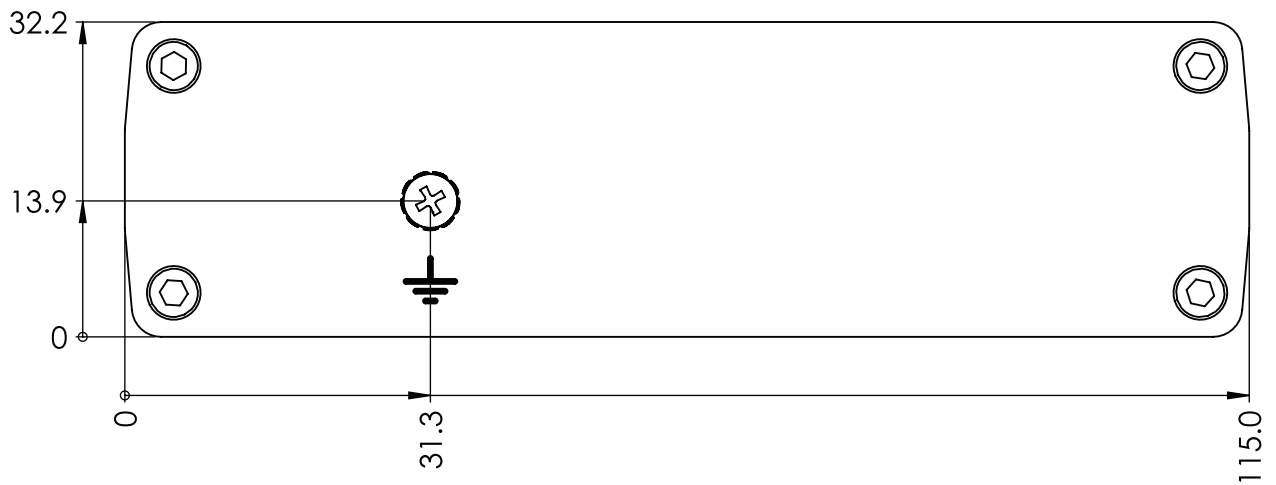
FRONT VIEW

The figure below depicts the measurements of TSW100 and its components as seen from the front panel side:



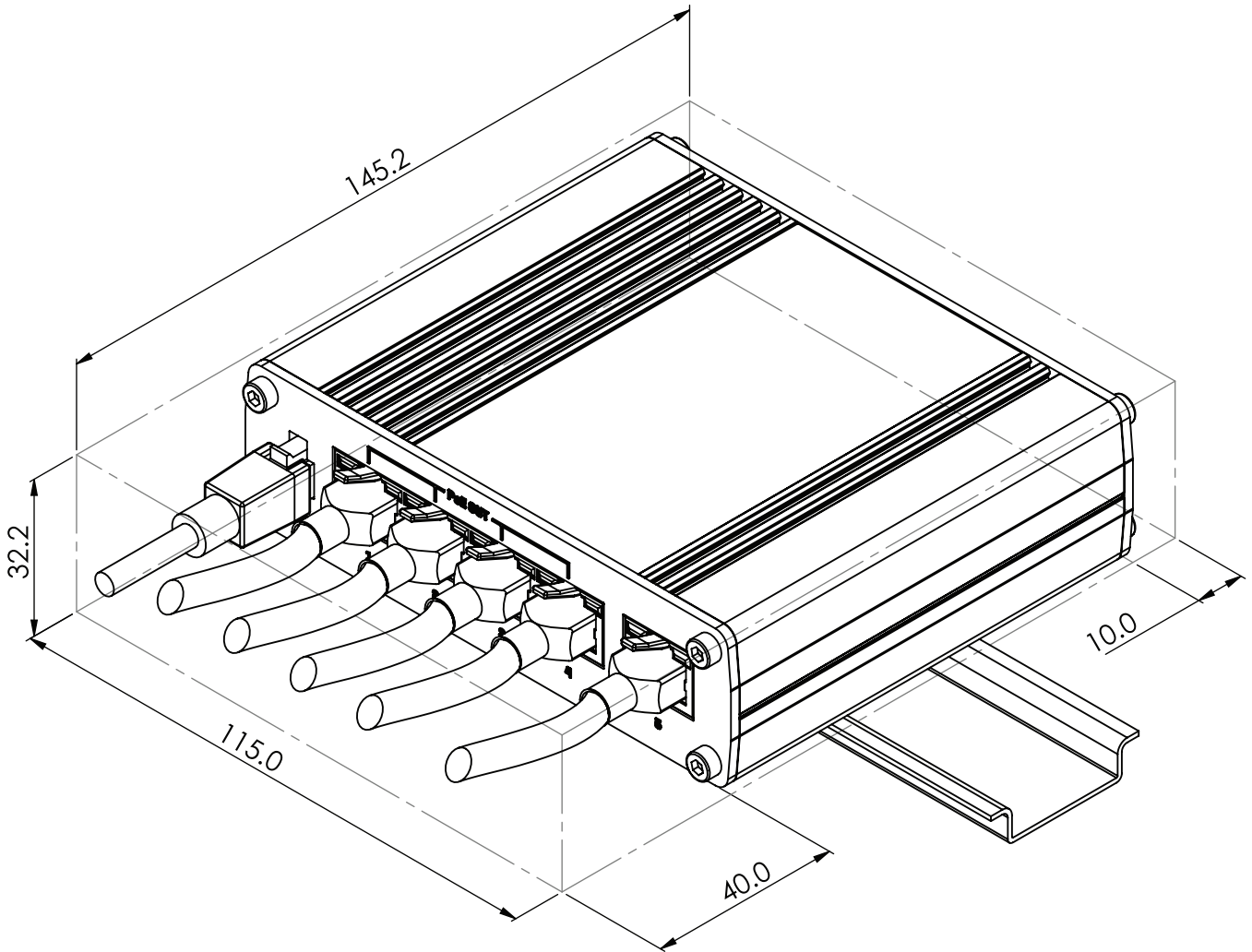
REAR VIEW

The figure below depicts the measurements of TSW100 and its components as seen from the back panel side:



MOUNTING SPACE REQUIREMENTS

The figure below depicts an approximation of the device's dimensions when cables and antennas are attached:



DIN RAIL

The scheme below depicts protrusion measurements of an attached DIN Rail:

